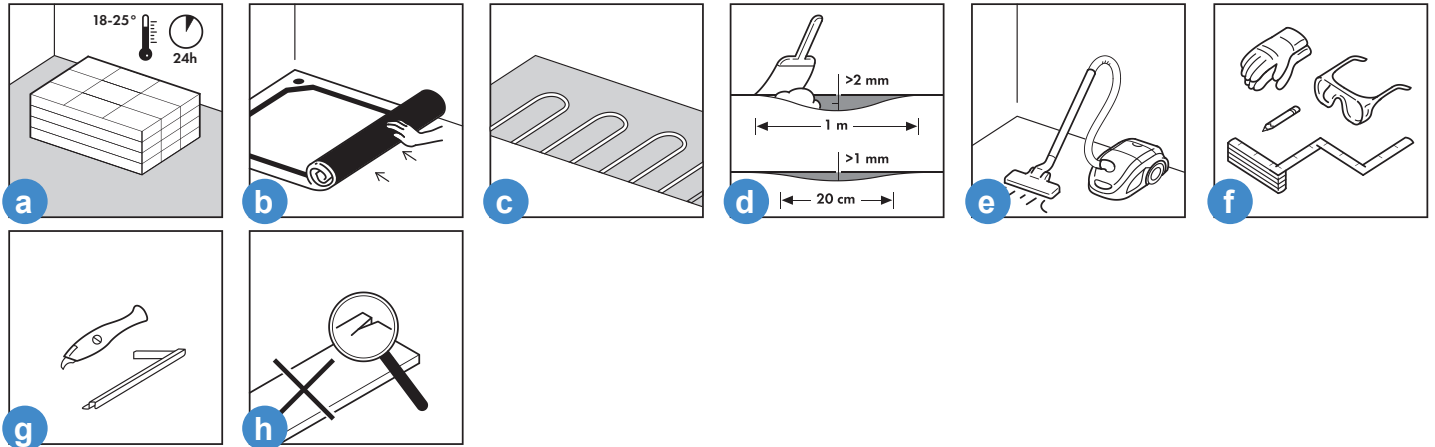


To obtain the best result, we advise to follow all installation instructions carefully and recommend installation be carried out by a professional flooring installer.

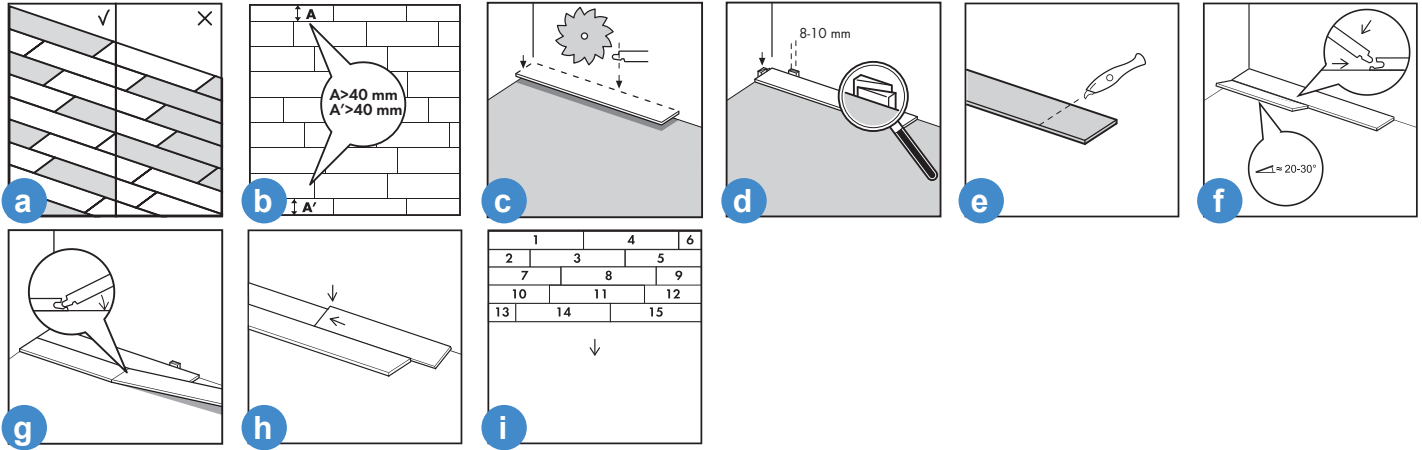
PREPARATION



SAFETY INFORMATION: It is important to employ safe working practices. Protective eyewear, hearing protection and safe footwear should be worn throughout the installation to help prevent against injury. Dust extraction and respiratory protection should be used when cutting flooring or trims using a saw of any type. Materials Safety Data Sheets are available online at www.premiumfloors.com.au & www.floorscape.co.nz. If using ancillary products like levelling compounds etc, it is recommended to adhere to the specific safety requirements as stated by the manufacturer.

- It is a good idea to acclimatise the packs to room temperature prior to installation. Particularly, packs that have been stored in cold or hot locations should be left in the room for up to 24 hours between 18-25°C prior to installation (a), so that they can closely approximate to this room temperature.
- Safely remove any damp-porous floor covering (carpet, needle felt, etc.) first (b). Hard floor covering of PVC, linoleum, ceramic tiles, etc. does not have to be removed as long as they're are well stuck to the subfloor.
- Wooden subfloor: Remove any existing floor covering first. No signs of mold and/or insect infestations should be present. Make sure the subfloor is level. Nail down any loose parts. The planks can be installed directly over flat wooden subfloors, however unevenness greater than 2mm over the length of 1m and 1mm over a length of 20cm should be sanded and leveled to render them flat and stable. The crawl space under the wooden subfloor must be sufficiently ventilated. **The moisture content of the wood must not exceed 14%.** Damp-proof membranes should not be installed over wood subfloors to allow the wood to breathe.
- Additional instructions apply if there is underfloor heating or cooling. Your dealer or installer of the floor heating system must guarantee that the floor surface temperature never exceeds 28°C. Only in-slab heating systems are suitable, always install a 200um plastic barrier before installing, and bring up temperature 5°C per day after install (c).
- Concrete subfloor: **The moisture content of any concrete slab must be less than 80%RH when tested in accordance with AS1884:2021 for installations in Australia and 75%RH per NZS1884:2013 for installations in New Zealand,** the result should be recorded at the time of testing.
- Ensure the subfloor is level. Any unevenness greater than 2mm over the length of 1m must be smoothed out (d). The same applies to any unevenness of more than 1mm over a length of 20cm. When installing over existing tiles, if grout lines are wide than 3mm and deeper than 2mm, they should be filled.
- Make sure that the subfloor is flat, dry, clean and stable (e).
- You will need the following standard tools for installation: hammer, jigsaw, pencil, tape measure, safety goggles and gloves (f). If possible consider using a drop saw and table saw for cleaner finish.
- Apart from that, you also need the following accessories: installation kit (a pulling iron and/or unifix tool, spacers and a tapping block suitable for the Uniclic® click system), and suitable maintenance products (g). Always use only the recommended accessories for best results.
- Check all panels before and during installation (h). Any panels with an obvious visible manufacturing defect or damaged panels must never be used per warranty terms and conditions.
- Check whether the old skirting can be removed. You can leave the wall skirting boards in place and finish the floor with a matching scotia. Undercutting skirting can also be an alternative.
- Check that the doors can still open and close after the floor has been installed. Undercut doors as necessary.
- Island benches, kitchens and other very heavy objects should be installed first and not placed on top of the flooring. The hybrid floor must be able to expand and contract with changes in temperature. Kick panels should be removed or undercut to allow the floor to be run underneath. If this is not possible, a purpose-fit profile should be installed to provide an adequate expansion gap.

INSTALLATION



The hybrid planks click to each other using the Uniclic® joining system, over a properly prepared subfloor, they are not fixed to the subfloor. Because vinyl grows or shrinks with temperature change it is necessary to leave a gap around the entire perimeter. It is important to condition and install the flooring at the approximate service temperature (18-25°C) to prevent excessive growth or contraction during periods of high and low temperature.

A perimeter gap should be a minimum of 10mm and is required to allow for adequate expansion and contraction of the flooring, this can be covered with skirting, scotia or other profiles available from your retailer. Additional expansion allowance is required when there are continuous runs of flooring exceeding 15m in any direction, this is called 'compartmentalisation', control joints are installed in doorways or walkways to allow the entire raft of flooring to expand and contract independently. See image below of example where dots are marked along doorways:



Continuous runs of flooring cannot exceed 15m in a residential home without additional expansion allowance - please contact your retailer if unsure on control joint placement.

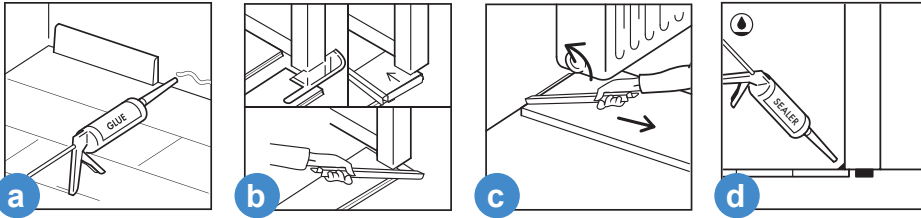
With the Uniclic® joining system you can choose where you want to begin. Think about what the easiest way will be to install the floor. We will demonstrate the installation for right-handed people, from left to right. You can work in the other direction if you want. Uniclic® is unique because you can install the planks in two different ways:

Method A: Position the panel to be installed at an angle of 20 to 30° to the panel already installed. Move the panel gently up and down and at the same time exert forward pressure. The panels will automatically click into place. You can either insert the tongue into the groove, or the groove on to the tongue. The tongue in groove method is the most common and easiest way.

Method B: With Uniclic® you can also tap the panels into each other without lifting. For this method you must use the special Uniclic® tapping block. The planks should not be joined with a single tap. To avoid damaging the panels you must tap them together gradually.

1. Make sure the panels are mixed sufficiently when you install them, so that you do not end up with too many identical, light or dark panels next to each other (a). To obtain the best visual effect, it is best to fit the floorboards in the direction of the longest wall and parallel to the incidence of light.
2. Before starting, carefully measure the length and the width of the room to plan a precise layout to achieve a balanced appearance of the floor. This will also ensure that you won't end up with the last row being too narrow. If the last row would be less than 40 mm, the installation will be easier if you cut down the planks of the first row in the length (b).
3. Begin the first row with a whole plank. First saw off the tongue on both the long and the short sides (c).
4. Put the plank with sawn off sides against the wall. Put spacers from the installation kit between the planks and the wall (d). This will ensure that your expansion joint is wide enough: 8 to 10 mm.
5. Ensure that the end joints of the panels in two successive rows are never in line. Always ensure that the joints are staggered by at least 30 cm (e).
6. Position the panel to be installed at an angle of 20 to 30° to the panel already installed (f). Move the panel gently up and down and at the same time exert forward pressure (g)(h). The panels will automatically click into place.
7. With Uniclic® you can also tap the panels into each other without lifting. For this method you must use the special Uniclic® tapping block. The planks should not be joined with a single tap. To avoid damaging the panels you must tap them together gradually.
8. In places where it is too difficult to install the Uniclic® planks with the tapping block (e.g. against the wall), you can tap them together using the pulling iron or a unifix tool and a hammer.
9. Once enough rows are installed, it is easy to continue the installation as follows: Put an unopened pack of panels on the already installed rows (i). Switch your position and click the short side of the panel in the previous panel.
10. Now place both hands close to the joint and pull the long side of the plank towards you. The panels will now click together. Continue like this to the end of the room.
11. Remember that hybrid flooring expands when heated and contracts when cooled. As such a minimum of 10mm gap is left around the entire perimeter and between the floor and any vertical object.
12. Once the last row has been installed remove all spacers.

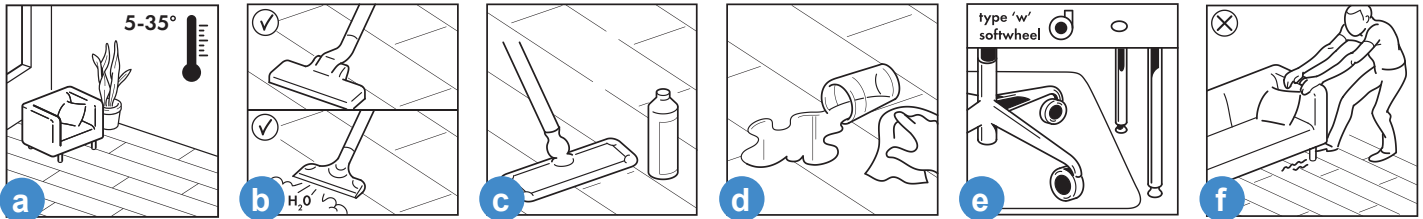
FINISHING



1. Install the skirting-board against the wall (a). **Never attach the skirting-board or scotias to the floor.** This method allows the floor to expand and contract under the skirting-board. **Caulking the perimeter will prevent free movement of the flooring raft, caulking is not to be used with the exception of finishing in wet areas - see point 4.**
2. When sawing the panels make sure that the expansion joint under the door is at least 10 mm (b). If you cannot lift the panel, use the tapping block or pulling iron or a unifix tool and hammer to tap the panels together when the planks are flat on the floor.
3. In places where it is difficult to install the planks with the tapping block (e.g. underneath radiators), you can tap them together with the pulling iron or a unifix tool and a hammer (c).

4. **FINISHING IN WET AREAS (LAUNDRIES, POWDER ROOMS ETC.)**
We recommend the sealing of the floor perimeter in laundries, powder rooms or other areas of the home prone to have excessive amounts of water on the floor. This is to prevent water flowing in and under the floor at the perimeter. Sealing of the perimeter in such wet areas can be completed with a foam rod and Quick-Step Hydrokit or comparable soft, flexible silicone (d). **Wet areas must be compartmentalised with a control joint at entrances.**

NOTE: This flooring is not suitable for rooms with a built in floor waste.



CARE AND MAINTENANCE

1. You can immediately walk on your new floor after installation.
2. Ensure that temperature in the room is always above 5°C and below 35°C (a). Direct sunlight exposure should be avoided to protect the floor from fading or colour distortions.
3. For dry maintenance, we advise a soft bristle broom or dry microfibre mop.
4. If using a vacuum cleaner, make sure the vacuum cleaner is equipped with soft wheels and a soft bristle brush to avoid scratching your floor (b). Steam cleaners and wet mops are not recommended however are permitted with the following guidelines. If using a steam cleaner, please ensure that a cloth covers the direct steam pressure on any device as this will help an even distribution of steam and heat. Keep the steam cleaner on a low setting, moving during cleaning and, for best results, clean the floor in the same direction as the planks have been installed.
5. For slightly damp and wet maintenance, we advise to use the recommended cleaning and maintenance kit (c). Be aware that the use of other cleaning products might damage your floor. Do not use impregnated disposable cloths as these often contain oily residues that can retain dirt and marks, especially in critical light. When washing reusable microfibre mop heads never use fabric softener in the wash as this can also create a residue on the floor that can be difficult or sometimes impossible to remove.

6. Spills and stains should be cleaned up immediately, general spot cleaners are suitable for removal of most marks (d). Remove stubborn stains carefully with a citrus based cleaner. Never use scouring or abrasive products. Never apply other coatings such as wax or varnish on the floor.
7. Protect the floor from furniture and chair legs by using felt protectors. Avoid bringing dirt, water and sand indoors by providing a suitable floor mat at the door. Use office chairs and seats with soft 'type W' wheels that are suitable for hard floors and/or use a suitable desk mat (e). **Never use rubber backed mats on the floor as these can damage the surface.**
8. Never drag items of furniture over the floor to avoid scratching the surface (f).

For further care and maintenance advice please visit www.premiumfloors.com.au or www.floorscape.co.nz